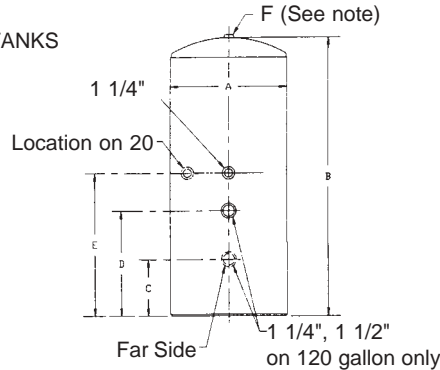


GALVANIZED PRESSURE TANKS

- Max Working Pressure - 75 PSI
- Cold well water storage
- NSF listed lining for 140°F potable water
- Inlet and Outlet Taps are located near the bottom of the tank in order to maintain a cushion of air in the top

PART NO.	LIST PRICE-E	GAL. CAP.	DIAMETER		OVERALL LENGTH			LOCATION OF OPENINGS			TOP PLUG F	APPROX. WEIGHT
			A	B	C	D	E					
21-12	\$ 302.12	12	12	26 1/2	3	6	14	1	27 Lbs			
21-20	311.53	20	16	26 11/16	3	12	14	1	45 Lbs			
21-30	333.84	30	16	38 7/16	3	12	20	1	52 Lbs			
21-42	355.70	42	16	50 11/16	3	12	26	1	71 Lbs			
21-80	564.54	82	20	63 13/16	3	12	32	1	114 Lbs			
21-115	746.28	120	24	64 7/16	3 1/2	12	32	1	154 Lbs			
21-215	1802.16	220	30	80 3/16	3 1/4	29 3/4	11 1/4	2	303 Lbs			

DESIGN FOR 12 GALLON THROUGH 120 GALLON TANKS



NOTE: For information about 220 gallon tank contact Sales Representative. 315 and 525 gallon tanks available. Call your Sales Representative for price and delivery. Removal of the top plug (F) is not recommended. The plug is installed before the hot dip galvanizing process, and the threading on the tank can be severely damaged by removing the plug. **Damage as a result of the plug (F) voids the Warranty (Do so at your own risk).**



UNIVERSAL PUMP MOUNTING BRACKET

Pump mounting bracket kit has the following components:

- (2) 3/8" x 3/4" chrome plated hex bolts
- (2) 3/8" x 1" chrome plated hex bolts
- (4) plated flat washers
- (4) blue plastic leg protectors

PART NO.	UPC	LIST PRICE-A	TYPE	SIZE	CTN QTY
PE-PMB	336234	\$ 14.42	Universal	7 1/2" X 9 1/8" X 1 15/16"	1



SNIFTER VALVES

PART NO.	UPC	LIST PRICE-A	WORKING PRESSURE	WORKING TEMP. (°F)	OPENING PRESSURE	BAG/CASE QTY
1/8" MPT Snifter valve for water pumps						
PE-SV0	154678	\$ 2.16	15-150 PSI	-10° To +165°	3 PSI	10/100
1/4" MPT Tank valve - General purpose						
PE-SV1	154685	1.90	0-200 PSI peak of 300	-40° To +225°	60 PSI	10/100

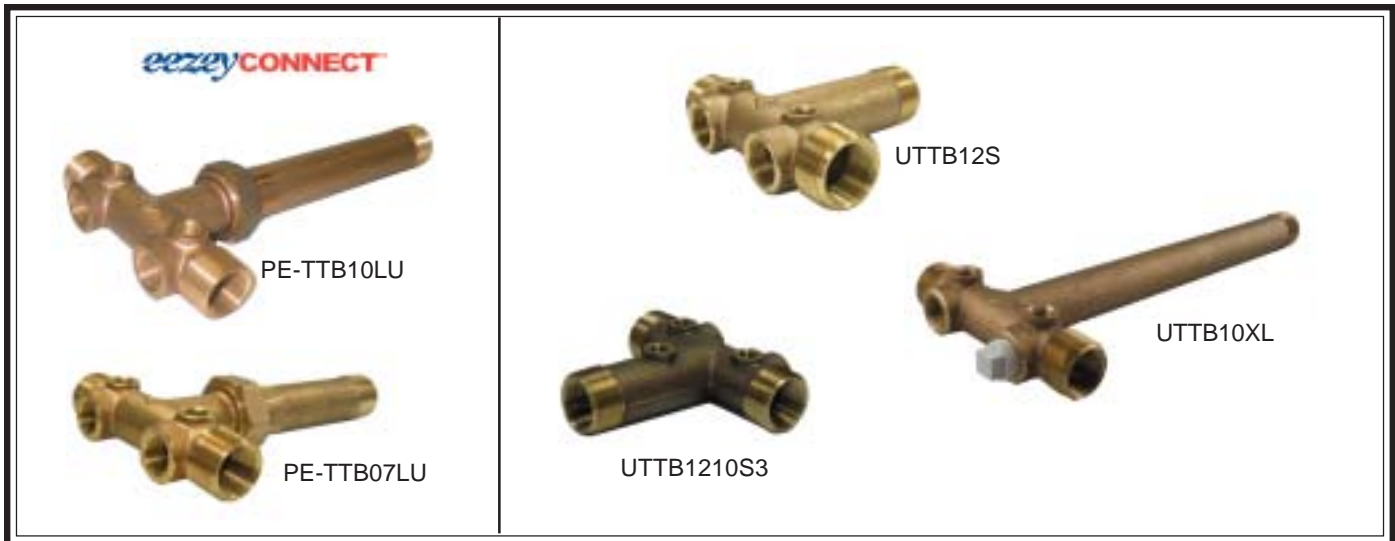
eezeCONNECT SOLID BRONZE TANK TEES

PART NO.	UPC 777808+	LIST PRICE-A	CENTER TO END LENGTH	TANK CONN.	LINE CONN.	DRAIN PORTS	ACCESS PORTS	CASE QTY
PE-TTB10LU	213757	\$ 46.67	10"	1"M w/union	1"M X 3/4"F	2 @ 1/2"	2 @ 1/4"	10
PE-TTB10XLU	214990	51.37	13"	1"M w/union	1"M X 3/4"F	2 @ 1/2"	2 @ 1/4"	10
PE-TTB10SU	215034	32.46	4 1/2"	1"M w/union	1"M X 3/4"F	2 @ 1/2"	2 @ 1/4"	10
PE-TTB07LU	312764	41.26	7 1/2"	1"M w/union	1"M X 3/4"F	2 @ 1/2"	2 @ 1/4"	10
UTTB12LU	215010	69.99	12 3/4"	1 1/4"M w/union	1 1/4"M X 1"F	2 @ 3/4"	2 @ 1/4"	10

SOLID BRONZE TANK TEES

PE-TTB10L	116751	39.88	10 1/4"	1"M	1"M X 3/4"F	2 @ 1/2"	2 @ 1/4"	10
UTTB10XL	214983	39.65	13"	1"M	1"M X 3/4"F	2 @ 1/2"	2 @ 1/4"	10
UTTB12L	215003	63.26	13"	1 1/4"M	1 1/4"M X 1"F	2 @ 3/4"	2 @ 1/4"	10
UTTB10S	215027	24.82	4 1/2"	1"M	1"M X 3/4"F	2 @ 1/2"	2 @ 1/4"	10
UTTB12S	215041	32.61	4 1/2"	1 1/4"M X 1"F	1 1/4"M X 1"F	2 @ 3/4"	2 @ 1/4"	10
UTTB10SF	215065	23.80	3 5/8"	1"F	1"M X 3/4"F	2 @ 1/2"	2 @ 1/4"	10
UTTB1210S3	215089	33.86	3 3/8"	1 1/4"M X 1"F	1 1/4"M X 1"F	1 @ 3/4"	3 @ 1/4"	10

Union tank tees supplied with Brass to Teflon® gasket that ensures a watertight connection. Caution: Do not overtighten.



TANK TEE PACKAGES

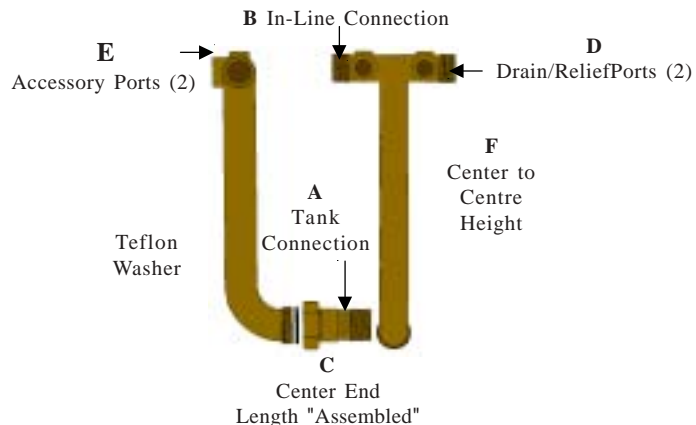
PART NO.	UPC 777808+	LIST PRICE-A	TANK TEE	SEDIMENT FAUCET	PRESSURE GAUGE	PRESSURE SWITCH	RELIEF VALVE	NIPPLE
PE-TPB10L	155354	\$ 87.83	PE-TTB10L	1/2"	0-100 PSI	FSG2	1/2"	1/4" X 3" Brass
PE-TPB10LU	213771	94.54	PE-TTB10LU	1/2"	0-100 PSI	FSG2	1/2"	1/4" X 3" Brass
PE-TPB10LM4	213788	96.62	PE-TTB10L	1/2"	0-100 PSI	FSG2M4	1/2"	1/4" X 3" Brass
PE-TPB10LUM4	213795	103.32	PE-TTB10LU	1/2"	0-100 PSI	FSG2M4	1/2"	1/4" X 3" Brass
PE-TPB10S	213801	73.42	UTTB10S	1/2"	0-100 PSI	FSG2	1/2"	1/4" X 3" Brass
PE-TPB10SU	213818	81.17	PE-TTB10SU	1/2"	0-100 PSI	FSG2	1/2"	1/4" X 3" Brass
PE-TPB10XL	213825	88.65	UTTB10XL	1/2"	0-100 PSI	FSG2	1/2"	1/4" X 3" Brass
PE-TPB12L	213832	113.88	UTTB12L	3/4"	0-100 PSI	FSG2	3/4"	1/4" X 3" Brass
PE-TPB12LU	213849	120.62	UTTB12LU	3/4"	0-100 PSI	FSG2	3/4"	1/4" X 3" Brass
PE-TPB12S	213856	82.84	UTTB12S	3/4"	0-100 PSI	FSG2	3/4"	1/4" X 3" Brass
PE-TPB12SU	213863	92.64	UTTB12SU	3/4"	0-100 PSI	FSG2	3/4"	1/4" X 3" Brass
PE-TPG10	213870	52.58	UTTG10	3/4"	0-100 PSI	FSG2	No Relief Valve	1/4" X 6" Galv. 1" X 2" Galv.
PE-TPG1210	213887	54.87	UTTG1210	3/4"	0-100 PSI	FSG2	No Relief Valve	1/4" X 6" Galv. 1 1/4" X 2" Galv.
PE-TPG12	213894	55.74	UTTG12	3/4"	0-100 PSI	FSG2	No Relief Valve	1/4" X 6" Galv. 1 1/4" X 2" Galv.



ELEVATED TANK TEE

- Heavy duty cast bronze construction ensures excellent durability and longevity in aggressive well conditions.
- Sure Seal Union tank tees with Bronze to Teflon® gasket ensures a watertight connection.
- Compact design - keeps accessories close to tank.
- Elevates the sampling faucet from ground level after assembly on the tank (required code in some States).
- Puts valve at a more usable level and reading the gauge much easier.
- Brings pressure switch at a level which is easier to work at when adjusting system pressures.

PART NO.	UPC 777808+	LIST PRICE-A	A	B	C	D	E	F
PE-TTE5U	315734	\$ 66.04	1" MPT Tank Connection	1" MPT X 3/4" FPT In-Line Connection	4 1/2" Center End Length	(2) 1/2" FPT Drain/Relief Ports	(2) 1/4" FPT Accessory Ports	11 7/8" Center- End Height
PE-TTE8U	315741	70.78	1" MPT	1" MPT X 3/4" FPT	7 1/4"	(2) 1/2" FPT	(2) 1/4" FPT	11 7/8"
PE-TTE10U	315758	73.92	1" MPT	1" MPT X 3/4" FPT	9 3/4"	(2) 1/2" FPT	(2) 1/4" FPT	11 7/8"
PE-TTE14U	315765	81.72	1" MPT	1" MPT X 3/4" FPT	13"	(2) 1/2" FPT	(2) 1/4" FPT	11 7/8"



Pricing subject to change. Please confirm pricing with your Sales Rep.



ECONOMY RELIEF VALVES (NON-ADJUSTABLE)

Pressure relief valves are recommended for all cold water system installations - to protect against damage to piping and pressure tanks. Set at 75 PSI, (±) 15% setting accuracy, field adjustments are not recommended. **These valves are not T & P valves that are required with water heaters.** However, there is the same need for pressure relief valves on cold water pressure tanks.

- Bronze body
- 140°F (60°C) Maximum operating temperature
- Buna N sealing disc
- Stainless steel spring and retaining screw

**NOT FOR USE WITH
HOT WATER HEATERS**

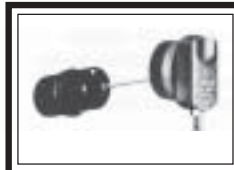
PART NO.	UPC	LIST PRICE-A	SIZE		PRESSURE RANGE	CASE QTY
			IN	OUT		
PE-RV05	214495	\$ 8.34	1/2" MPT	1/2" FPT	Set at 75 PSI	10
PE-RV07	214501	8.84	3/4" MPT	1/2" FPT	Set at 75 PSI	10



PLASTIC JET PUMP AIR CONTROL

- Air volume control for jet systems that cures waterlogged tanks
- Positive action control - Simple in construction
- No flexing diaphragm or metal springs
- Will operate on as little as 5" of vacuum
- Cannot corrode in moist environment
- Fits all size tanks up to and including 82 gallon - may be easily manifolded for larger size tanks

PART NO.	UPC	LIST PRICE-A	DESCRIPTION	CASE QTY
PE-AC	116782	\$ 16.53	Air Control	25



AIR VOLUME CONTROLS - SHALLOW WELL

- AMETEK
- Zinc die-cast housing with plastic float mounted on solid brass rod
- Complete with tubing and adapter

PART NO.	LIST PRICE-A	DESCRIPTION	SIZE	CASE QTY
AVC-L	\$ 47.68	Shallow Well	1 1/4	50



AIR VOLUME CONTROLS - DEEP WELL

- PENN
- All internal operating parts are constructed of brass to minimize corrosion

PART NO.	UPC	LIST PRICE-A	DESCRIPTION	SIZE	CASE QTY
UAVC-PENN-WJ	355815	\$ 32.81	Deep Well	1 1/4	50



NON-REPAIRABLE AIR VOLUME CONTROLS

- AVC45 for tanks up to 42 gallons
- AVC100 for tanks up to 120 gallons

PART NO.	UPC	LIST PRICE-A	TANK CONNECTION	PUMP CONNECTION	CASE QTY
PE-AVC45	339716	\$ 10.95	1/4" N MPT	7/16" - 24 THD	50
PE-AVC100	339723	9.69	3/8" N MPT	7/16" - 24 THD	50